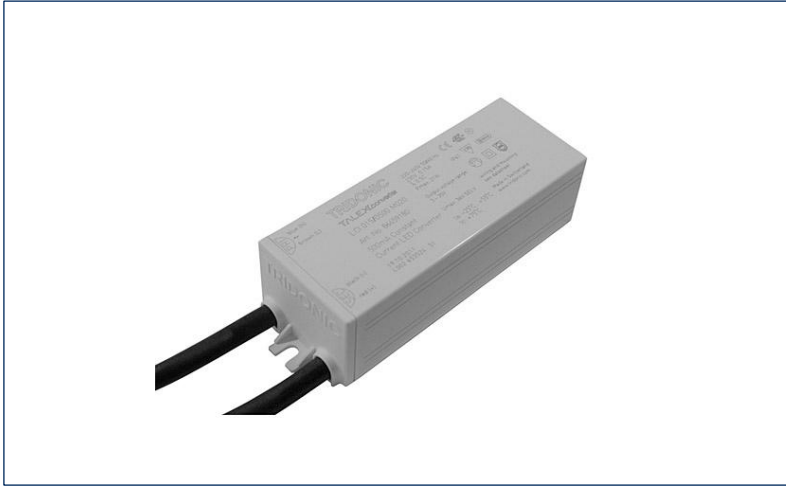


TALEXdriver LCI 15W 350/500/700mA M020

TOP series

**Product description**

- _ Independent LED Driver for LED modules
- _ Output power 15 W
- _ Nominal life-time of 50,000 h (at ta 55 °C with a failure rate ≤ 0.2 % per 1,000 h)
- _ 5-year guarantee

Properties

- _ Strain relief connection cable 0.5 m
- _ Type of protection IP67
- _ Casing: polycarbonate, white (UV resistant)

Functions

- _ Overload protection by reduction of performance
- _ Overtemperature protection
- _ Short-circuit shutdown

Website

<http://www.tridonic.com/28000797>



Spotlights



Downlights



Linear



Area



Floor | Wall



Free-standing



Street



Decorative

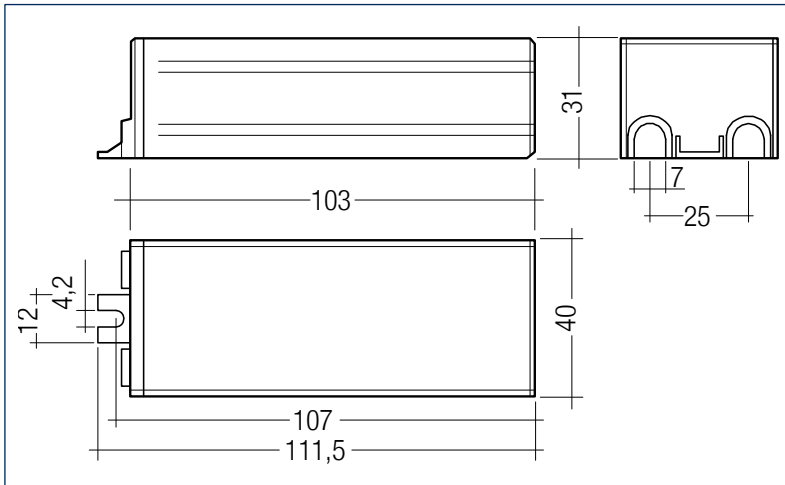


High bay

TALEXdriver LCI 15W 350/500/700mA M020

TOP series

The complete data sheet for this product is available in the Downloads section.



Ordering data

Type	Article number	Packaging, carton	Packaging, pallet	Weight per pc.
LCI 015/0700 M020	28000797	10 pc(s).	600 pc(s).	0.248 kg

Technical data

Rated supply voltage	220 – 240 V
AC voltage range	198 – 264 V
Mains frequency	50 / 60 Hz
Typ. rated current (at 230 V, 50 Hz, full load)	0.15 A
Max. input power	18 W
Typ. input power in no-load operation	0.5 W
Typ. λ (at 230 V, 50 Hz, full load)	> 0.5 C
Typ. efficiency (at 230 V, 50 Hz, full load)	> 85 %
Turn on time (at 230 V, 50 Hz, full load)	0.5 s
Turn off time (at 230 V, 50 Hz, full load)	1 s
Hold on time ^①	20 ms
ta operating (at life-time 50,000 h)	-25 ... +55 °C
Max. casing temperature tc	75 °C
Max. cable length ^②	15 m
Dimensions L x W x H	120 x 40 x 31 mm
Hole spacing D	111 mm

Approval marks

IP67 SELV        RoHS

Standards

EN 55015, EN 61000-3-2, EN 61000-3-3, EN 61347-1, EN 61347-2-13, EN 61547, EN 62384

Specific technical data

Type	Typ. output current	Output current tolerance	Output current ripple	Max. repetitive output peak current	Max. non-repetitive output peak current	Output voltage rang	Max. output voltage ^③	Typ. output power
LCI 015/0700 M020	700 mA	± 5 %	± 10 %	810 mA	810 mA	3 – 25 V	26 V	15 W

① At power failure.

② If same cable type diameter is used.

③ In no-load operation. No shutdown in no-load operation.