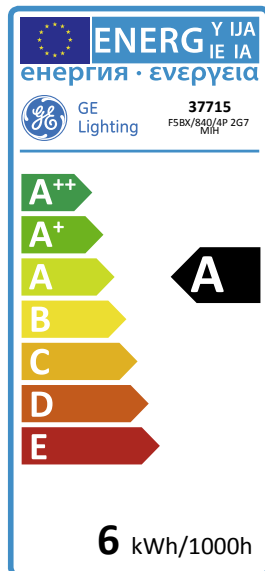




GE
Lighting



6
kWh/1000h

A
energy class

53
lumens/watt

Biax™ S/E 4-pin, External Starter Req.

F5BX/840/4P 2G7 MIH

37715

Product information

Biax™ S compact fluorescent lamps can provide savings of up to 73% in energy costs compared to incandescent lamps. Available in 5, 7, 9 and 11 watt ratings, low wattage Biax™ S lamps are ideal for new installations or to replace existing incandescent lamps. These lamps are available in 2700, 3000, 3500, 4000, 5000 and 6500K colour temperatures. The Biax™ S lamps have built-in internal starters. They have a rated average life of 10,000 hours, which results in fewer lamp changes and a reduction in maintenance costs over the life of an installation.

The Biax™ S/E lamps are available in 5, 7, 9 and 11 watt ratings. However, the Biax™ S/E lamps have 4-pin caps without built-in capacitors and starters, they are therefore suitable for operation with electronic control gear and can be used for dimming and emergency lighting applications. Biax™ S/E lamps have the same energy saving benefits and high quality colour rendering as the Biax™ S range. The use of separate electronic ballasts makes them suitable for almost every kind of energy supply: high and low voltages, accumulators, batteries, solar cells and systems that



can be dimmed. When the new fluorescent lamp is installed into dimming system, it is advised to operate lamps for period of 100 hours at full light output.
Single biaxial tube (single tube with 180° bend)

Application areas



Product data

| | |
|------------------------------------|-----------------------|
| Product Code | 37715 |
| Bulb Shape | Biax Plug-in |
| Bulb maximum overall diameter [mm] | 37.5 |
| Maximum Overall Length [mm] | 92 |
| Net weight per piece [g] | 55 |
| Gross weight per piece [g] | 73 |
| Operating position | U - Universal |
| Mercury Content [mg] | 3 |
| UV radiance | exempt |
| Brand | General Electric (GE) |
| Cap/Base | 2G7 |

Performance data

| | |
|---|-------|
| Colour Code | 840 |
| Weighted energy consumption [kWh/1000h] | 5.5 |
| Energy efficiency class (EEC) | A |
| Rated Life [h] | 10000 |
| Nominal correlated colour temperature (CCT) [K] | 4000 |
| Nominal lumens [lm] | 265 |
| Colour Rendering Index (CRI) [Ra] | 82 |

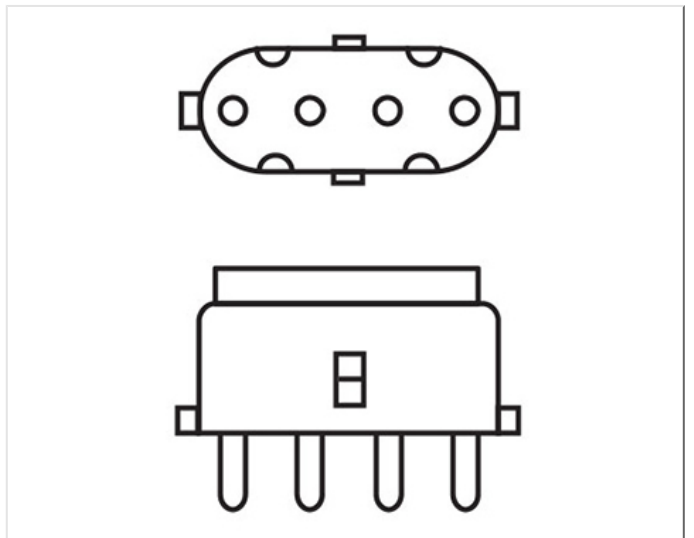
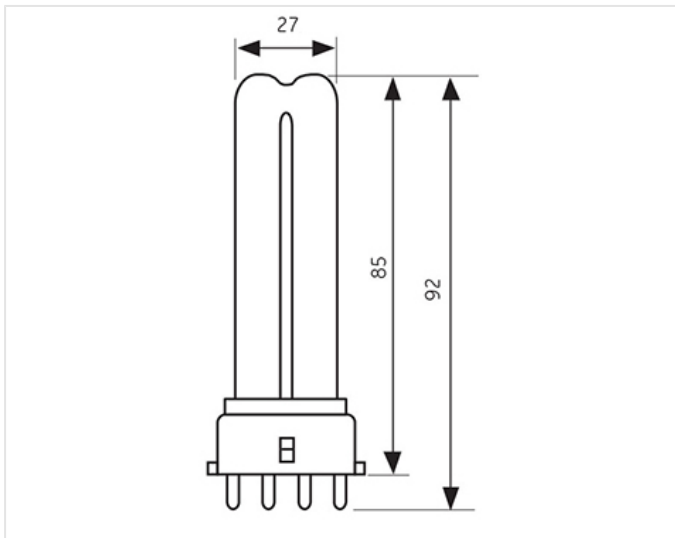
Electrical data

| | |
|------------------------------------|-----|
| Operating Temperature (MIN) [°C] | -15 |
| Starting ambient temperature range | -15 |
| Dimming Capability | Yes |
| Nominal power [W] | 5 |
| Nominal lamp voltage [V] | 35 |

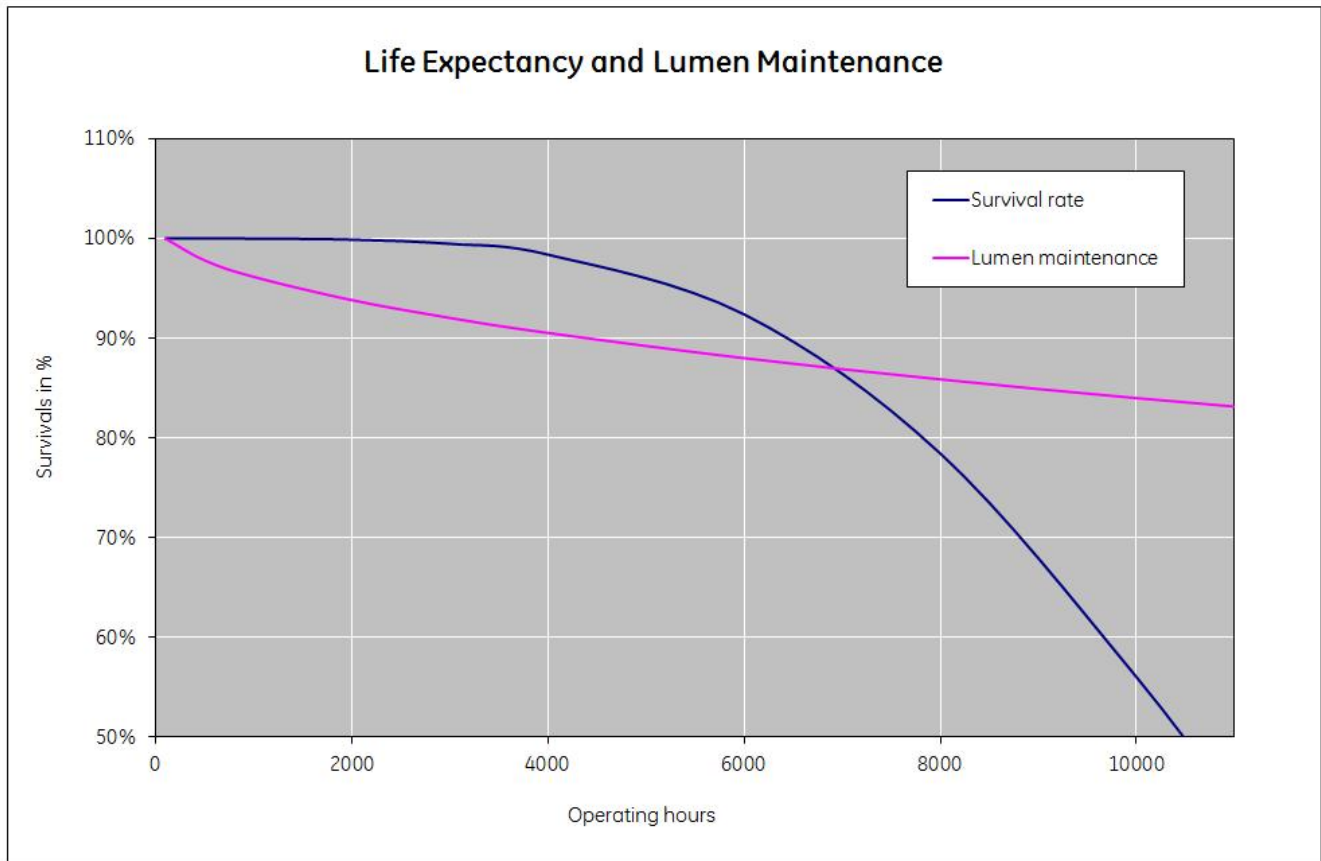
Logistic data

| | |
|--------------------------|---------------------|
| DUN Code | 00043168377157 |
| EAN Code | 0043168377157 |
| Pack Quantity | 10 |
| Layer quantity | 600 EUR, 1000 UK |
| Layer quantity EUR | 600 |
| Layer quantity UK | 1000 |
| Pallet quantity EUR (PC) | 5400 |
| Pallet quantity UK (PC) | 9000 |
| Outer case size | 124 x 84 x 112 (mm) |
| Product status | Available |

Technical drawing



Survival data



Downloads & Links

[Go to the catalog site \(HTTP\)](#)

[CFL Non-Integrated Spectrum Catalogue \(PDF\)](#)

[Longlast™ Biax™ S/E Lamps Data sheet \(PDF\)](#)

[Lighting design tools & calculators \(HTTP\)](#)

[Disposing and Cleaning of CFL Lamps \(HTTP\)](#)

[High-res images / Technical drawings \(HTTP\)](#)

[Certificate for the Quality Management System of GE Lighting EMEA \(PDF\)](#)

[Certificate for the Environmental Management System of GE Lighting EMEA \(PDF\)](#)